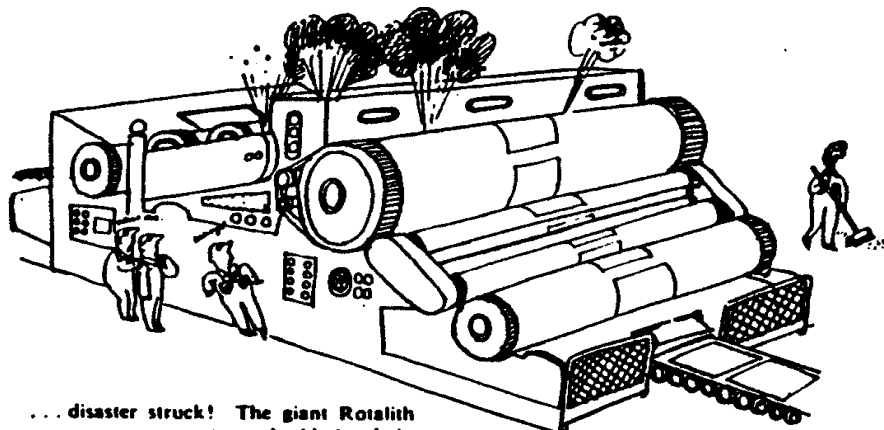


# Racism and job opportunities

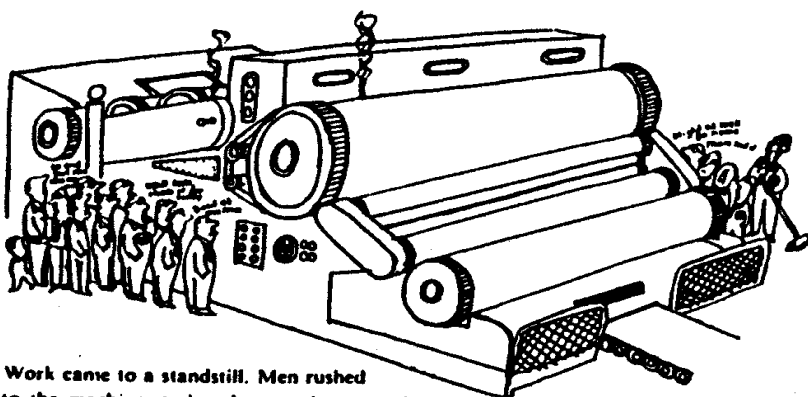
Stephen Moore, Sociology Alive, p. 94



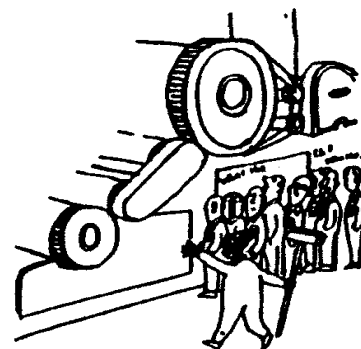
One day while at my work ...



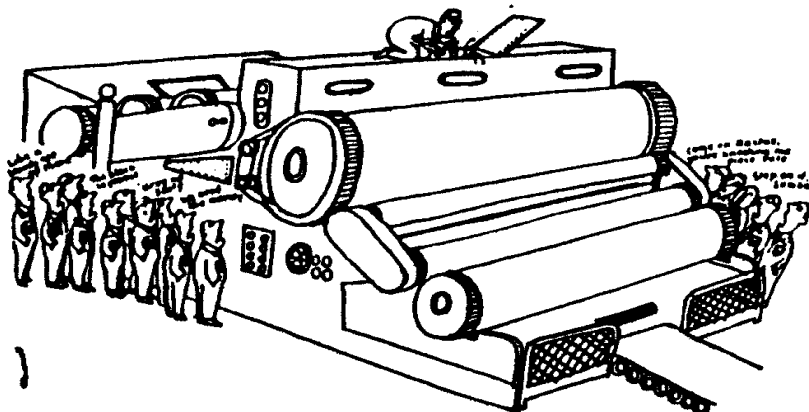
... disaster struck! The giant Rotalith came to a shuddering halt.



Work came to a standstill. Men rushed to the machine, trying desperately to get it started. But all in vain. The men stood there, grim and silent, thinking of the money they would lose. (Some of them had houses, wives and children to think about.)



I could stand the suffering of my comrades no longer. "I know what's wrong," I cried, rushing forward.



I worked in a silence broken only by the encouraging shouts of my workmates. A few minutes later, the mighty machine started. The day's production was saved!



Yes, it's certainly an exciting life as a factory sweeper—especially when occasionally you get a chance to use your higher degrees in science and engineering.

1. Why is the black worker sweeping the floor if he can repair the machine and has a degree?
2. How do the white workers respond to his help; are they grateful, for instance?
3. The black worker does not appear to be resentful of his treatment; how would you feel in his situation?
4. Trades unions' attitudes to black workers have been generally described as racist. What support for this point does the extract contain?
5. What suggestions could you make for combating racism in the workplace?